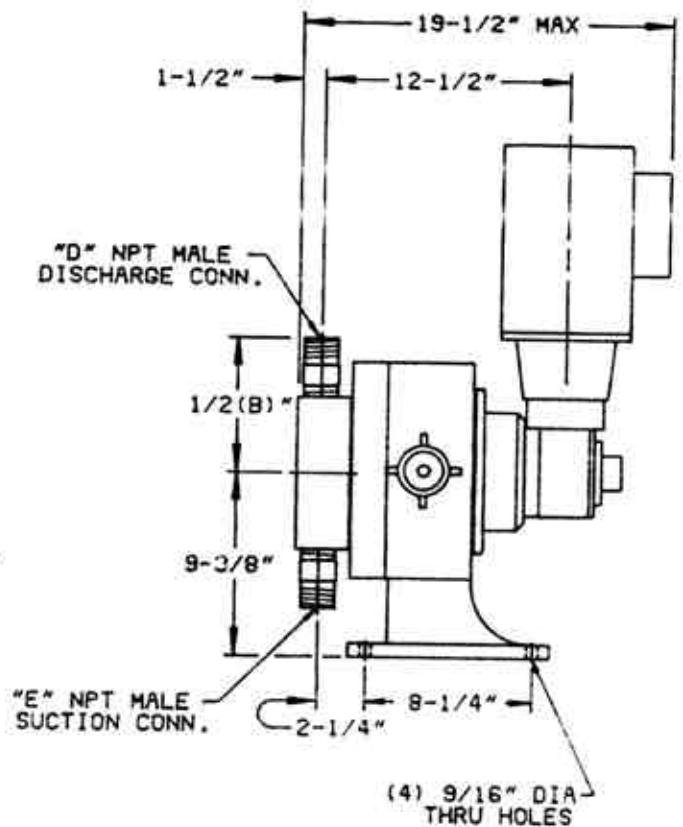
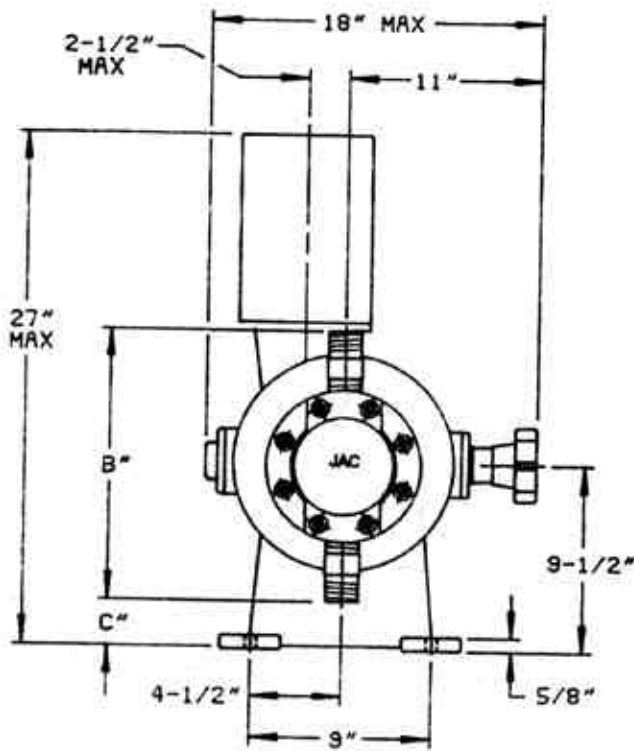


**Model 5721 Simplex  
 Manual Capacity Control**

| Plunger Diameter                 | Liquid End Material | Dimension                        |                                 |                                 |                                 |
|----------------------------------|---------------------|----------------------------------|---------------------------------|---------------------------------|---------------------------------|
|                                  |                     | B                                | C                               | D                               | E                               |
| 1 <sup>3</sup> / <sub>16</sub> " | Metal               | 13 <sup>3</sup> / <sub>4</sub> " | 2 <sup>1</sup> / <sub>2</sub> " | 1 <sup>1</sup> / <sub>4</sub> " | 1 <sup>1</sup> / <sub>4</sub> " |
| 1 <sup>5</sup> / <sub>8</sub> "  | Metal               | 13 <sup>3</sup> / <sub>4</sub> " | 2 <sup>1</sup> / <sub>2</sub> " | 1 <sup>1</sup> / <sub>4</sub> " | 1 <sup>1</sup> / <sub>4</sub> " |



\*Contact factory for pump types not shown on drawing. Dimensions are for reference only unless certified by factory.