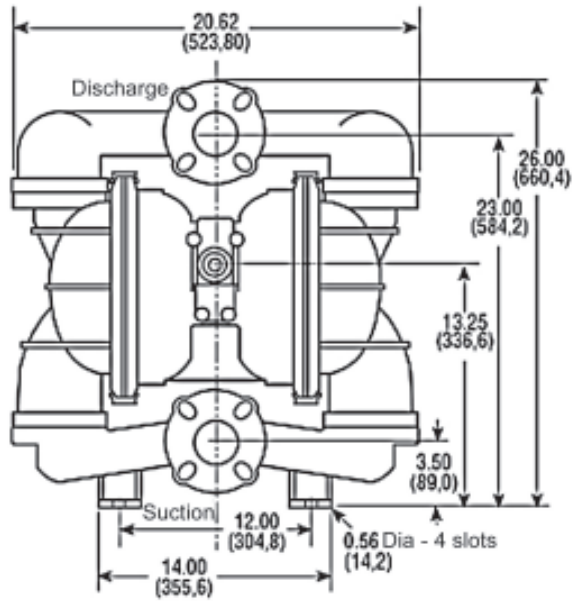
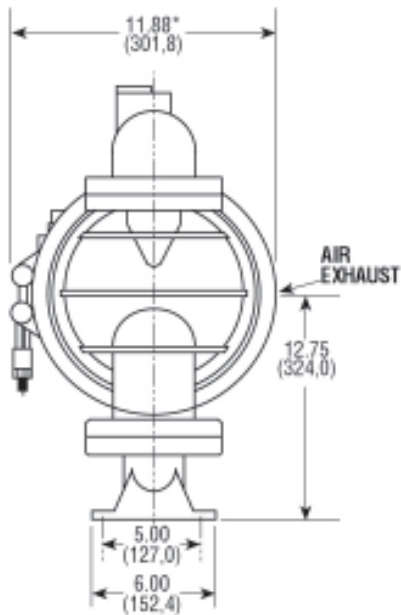


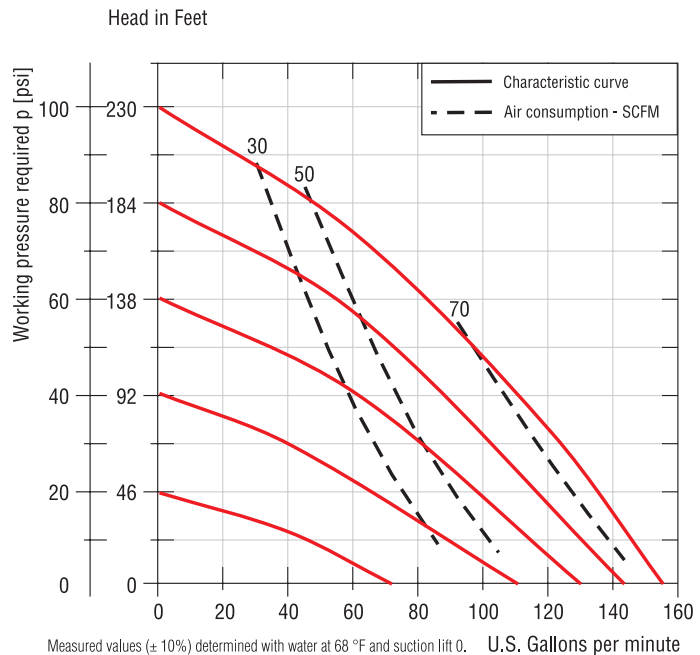
2" Clamped Version (non-metallic)



Front View



Side View



Dimensions in inches and (mm).

Operating data / Dimensions / Weights		
	2" PP	2" Kynar®
Housing material	Polypropylene	Kynar®
Diaphragm materials	Geolast®, Santoprene®, Teflon®	Teflon®
Valve ball materials	Geolast®, Santoprene®, Teflon®	Teflon®
Seals	Geolast®, Santoprene®, Teflon®	Teflon®
Valve seat	PP	Kynar®
Flow rate	150.3 gpm	150.3 gpm
Volume per stroke*	.480 gal/stroke	.480 gal/stroke
Suction lift dry	14.7 ft	14.7 ft
Suction lift Teflon®	9.8 ft	9.8 ft
Operating pressure	max. 100 PSI	max. 100 PSI
Temperature limits	150 °F	200 °F
Solids handling	max ∅ 0.25 inches	max ∅ 0.25 inches
Air inlet	3/4" NPT female (3/4" BSP female) ¹⁾	1/4" NPT female (3/4" BSP female) ¹⁾
Air outlet	3/4" NPT female	3/4" NPT female
Suction	2" DIN/ANSI Flange	2" DIN/ANSI Flange
Discharge	2" DIN/ANSI Flange	2" DIN/ANSI Flange
Weight	54 lbs	68 lbs

*Based on flooded suction conditions with water and 100 psi air pressure.

1) If the air flow control valve is used

Type	Materials of construction		Part No.
	Housing	Diaphragm, Valve Balls, Seals	
2" PPB Geolast®	PP	Geolast®	LJPG-C2
2" PPT Teflon®	PP	Teflon®	LJPT-C2
2" PPE Santoprene®	PP	Santoprene®	LJPE-C2
2" KNT Teflon®	Kynar®	Teflon®	LJKT-C2

Material description

Geolast® = NBR/PP compound
 Kynar® = PVDF = Polyvinylidene fluoride
 Polypropylene = PP
 Santoprene® = EPDM/PP-compound
 Teflon® = PTFE = Polytetrafluorethylene

Typical application

Paint, latex, ceramic slip, slurries, polymers, tank car fill and empty, foods

Teflon® and Viton® are registered Trademarks of DuPont Company. Kynar® is a registered Trademark of Penwalt Corp. Santoprene® is a registered Trademark of Monsanto Company. Geolast® is a registered Trademark of Advanced Elastomer Systems.