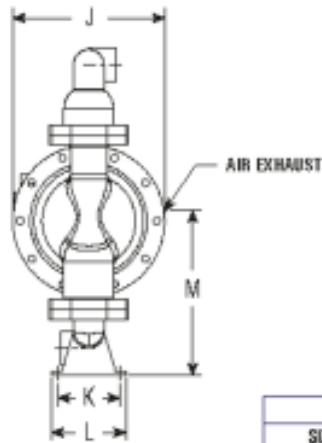
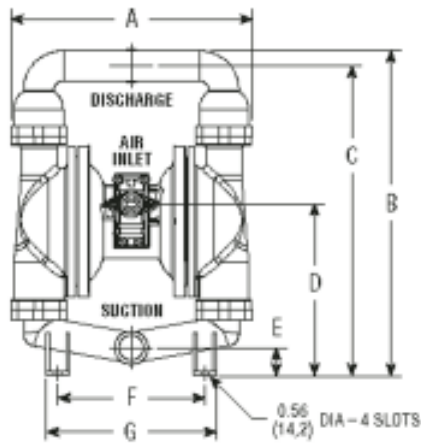
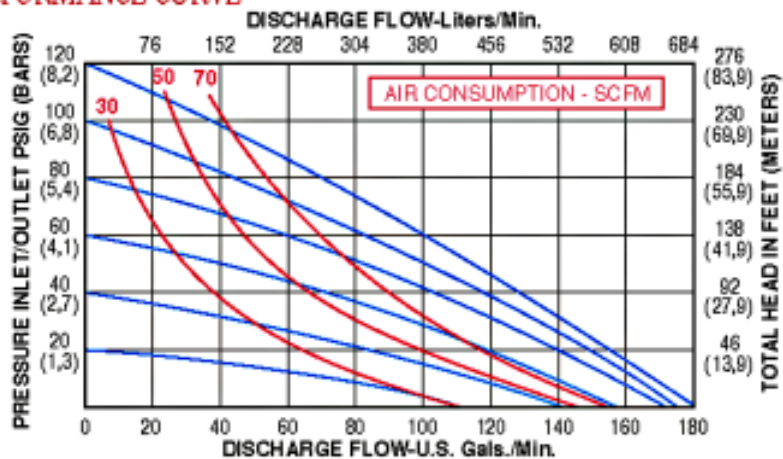


2" Bolted Version (metallic)



MODEL SIZE (Inlet/Outlet)	DIMENSIONS Inches / (mm)										
	A	B	C	D	E	F	G	J	K	L	M
2" Aluminum NPT & BSP	19.50 (495,0)	26.26 (667,0)	25.04 (636,0)	13.86 (352,0)	2.25 (57,1)	10.06 (255,5)	12.00 (304,8)	12.20 (309,9)	5.00 (127,0)	6.00 (152,4)	12.90 (327,6)
2" Stainless Steel NPT & BSP	19.50 (495,0)	24.62 (625,3)	23.00 (584,2)	15.05 (382,3)	3.50 (89,0)	12.00 (304,8)	13.85 (351,5)	12.20 (309,9)	5.00 (127,0)	6.00 (152,4)	14.10 (358,1)
Metal Flange Optional 2" Flange	19.50 (495,0)	24.62 (625,3)	21.62 (549,2)	13.25 (336,6)	3.50 (89,0)	12.00 (304,8)	13.85 (351,5)	11.88 (301,8)	5.00 (127,0)	6.00 (152,4)	12.75 (324,0)

PERFORMANCE CURVE



Dimensions in mm.

Operating data / Dimensions / Weights		
	2" Aluminum	2" Stainless Steel
Housing material	Aluminum	Stainless Steel 1.4404 (316)
Diaphragm materials	Geolast [®] , Teflon [®] , Santoprene [®]	Geolast [®] , Teflon [®] , Santoprene [®]
Valve ball materials	Geolast [®] , Teflon [®] , Santoprene [®]	Geolast [®] , Teflon [®] , Santoprene [®]
Seals	Geolast [®] , EPDM, Teflon [®]	Geolast [®] , EPDM, Teflon [®]
Valve seat	PP, Nylon	Stainless Steel
Flow rate	0-180 gpm	0-180 gpm
Volume per stroke*	.48 gal/stroke	.48 gal/stroke
Suction lift dry	15 ft	15 ft
Suction lift Teflon [®]	10 ft	10 ft
Operating pressure	max. 120 PSI min. 20 PSI	max. 120 PSI min. 20 PSI
Temperature limits	200 °F	200 °F
Solids handling	max \varnothing 0.25 inches	max \varnothing 0.25 inches
Air inlet	3/4" NPT/BSP female	3/4" NPT/BSP female
Air outlet	3/4" NPT/BSP female	3/4" NPT/BSP female
Suction	2" DIN/ANSI Flange	2" DIN/ANSI Flange
Discharge	2" DIN/ANSI Flange	2" DIN/ANSI Flange
Weight	61 lbs	133 lbs

*Based on flooded suction conditions with water and 100 psi air pressure.

Type	Materials of construction		Part No. F = flanged T = threaded
	Housing	Diaphragm, Valve Balls, Seals	
2" ALB Aluminum/Geolast [®]	Aluminum	Geolast [®]	LJAG-B2F LJAG-B2T
2" ALE Aluminum/Santoprene [®]	Aluminum	Santoprene [®]	LJAE-B2F LJAE-B2T
2" ALT Aluminum/Teflon [®]	Aluminum	Teflon [®]	LJAT-B2F LJAT-B2T
2" SST SS/Teflon [®]	Stainless Steel	Teflon [®]	LJST-B2
2" SSB SS/Geolast [®]	Stainless Steel	Geolast [®]	LJSG-B2
2" SSE SS/Santoprene [®]	Stainless Steel	Santoprene [®]	LJSE-B2

Material description

Geolast[®] = NBR/PP compound
 Nylon = PA = Polyamide-compound
 Polypropylene = PP
 Santoprene[®] = EPDM/PP-compound
 Teflon[®] = PTFE = Polytetrafluorethylene
 Viton[®] = FPM = Fluoro Elastomer

Typical application

Paint, latex, ceramic slip, slurries, polymers, tank car fill and empty, foods

Teflon[®] and Viton[®] are registered Trademarks of DuPont Company. Kynar[®] is a registered Trademark of Penwalt Corp. Santoprene[®] is a registered Trademark of Monsanto Company. Geolast[®] is a registered Trademark of Advanced Elastomer Systems.