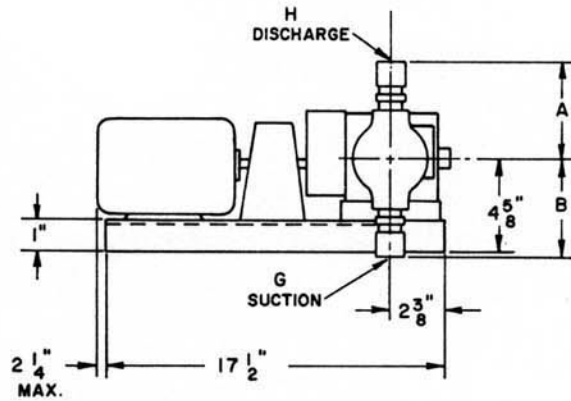


- SIMPLEX DUPLEX
 CAPACITY GPH MAX. (PER HEAD)
 PRESSURE PSIG MAX.
 MOTOR: HP VOLTS HZ.
 PH RPM
 ENCLOSURE GP TE XP



SIZE	A	B	D	E	F	G SUCTION	H DISCHARGE	MAX. PSIG
LARGE 4" DIA HEAD	4 3/4	4 3/4	13/16	13	14 5/8	5/8 OD x 5/16 ID R-15 PLASTIC TUBING		125
						5/8 OD x 1/2 ID POLYETHYLENE TUBING		
	4 1/4	4 1/4	9/16		14 3/8		1/2 NPT (MALE)	150
	3 3/4	4 3/4				5/8 OD x 5/16 ID R-15 PLASTIC TUBING	1/2 NPT (FEMALE)	
	4 3/4		13/16	13 1/4	14 5/8	5/8 OD x 1/2 ID POLYETHYLENE TUBING	1/2 NPT (FEMALE)	
	6 1/4	6 1/4				9/16 OD x 5/16 ID NYLOBRADE TUBING	1/2 NPT (MALE)	
	3 3/4	3 3/4					1/2 NPT (FEMALE)	
SMALL 3" DIA HEAD	3 1/8	3 1/8				3/8 OD x 1/4 ID POLYETHYLENE TUBING		125
	2 3/8	2 3/8	9/16	13 1/4	14 3/8		1/4 NPT (FEMALE)	200
	2 3/8	3 1/8				3/8 OD x 1/4 ID POLYETHYLENE TUBING	1/4 NPT (FEMALE)	

*Contact factory for pump types not shown on drawing. Dimensions are for reference only unless certified by factory.