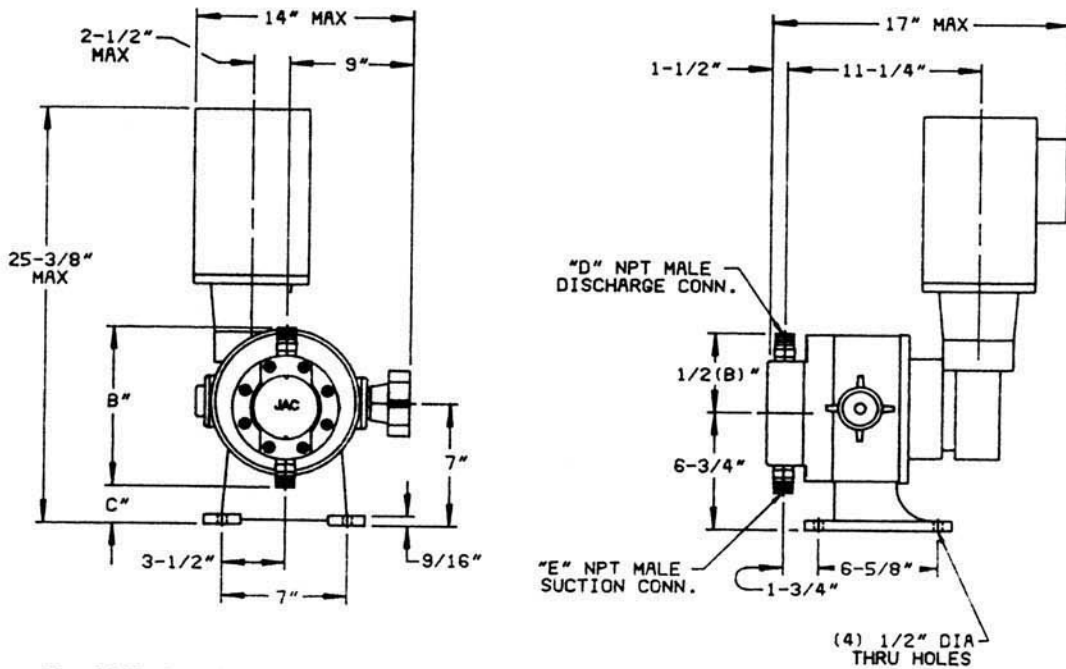


**Model 5711 Simplex  
Manual Capacity Control**

Plunger Diameter	Liquid End Material	Dimension			
		B	C	D	E
$1\frac{9}{32}$ "	Metal	$9\frac{1}{4}$ "	$2\frac{1}{8}$ "	$\frac{1}{2}$ "	$\frac{1}{2}$ "
$1\frac{1}{16}$ "	Metal	$9\frac{1}{2}$ "	2"	$\frac{3}{4}$ "	$\frac{3}{4}$ "
$1\frac{1}{16}$ "	Polypro	$10\frac{1}{8}$ "	$1\frac{5}{8}$ "	$\frac{1}{2}$ "	$\frac{1}{2}$ "

**Metal Liquid Ends**



**Polypro Liquid Ends**

